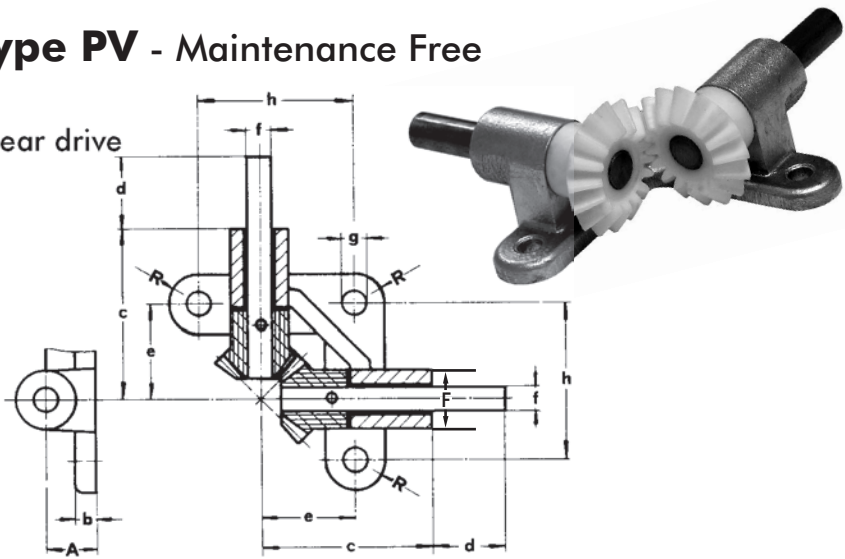


Right Angle Drives - Type PV - Maintenance Free

- An extremely inexpensive bevel gear drive
- Bevel gears: plastic
- Ratio: 1:1
- Case: cast aluminium
- Shafts: steel St 60 ground
- Bearings: plastic
- No axial load
- All sizes generally in stock



Power in kW

| Part No. | Module | A | b | c | d | e | f-h6 | g | h | R | F | rpm | | |
|----------|--------|----|---|----|----|------|------|-----|----|------|----|-------|-------|------|
| | | | | | | | | | | | | 100 | 400 | 800 |
| PV 10 | 1.0 | 10 | 4 | 35 | 15 | 19.4 | 5 | 4.8 | 32 | 6 | 13 | 0.004 | 0.006 | 0.01 |
| PV 15 | 1.5 | 15 | 5 | 50 | 20 | 28.4 | 8 | 5.8 | 45 | 9 | 20 | 0.008 | 0.04 | 0.06 |
| PV 20 | 2.0 | 20 | 6 | 60 | 30 | 35 | 10 | 7 | 55 | 11 | 24 | 0.01 | 0.07 | 0.11 |
| PV 25 | 2.5 | 25 | 7 | 70 | 35 | 41 | 12 | 9 | 65 | 12.5 | 26 | 0.03 | 0.12 | 0.22 |
| PV 30 | 3.0 | 30 | 8 | 80 | 40 | 47.5 | 15 | 9 | 75 | 15 | 31 | 0.05 | 0.21 | 0.35 |
| PV 35 | 3.5 | 35 | 9 | 90 | 45 | 54 | 18 | 11 | 85 | 16 | 35 | 0.08 | 0.35 | 0.65 |

